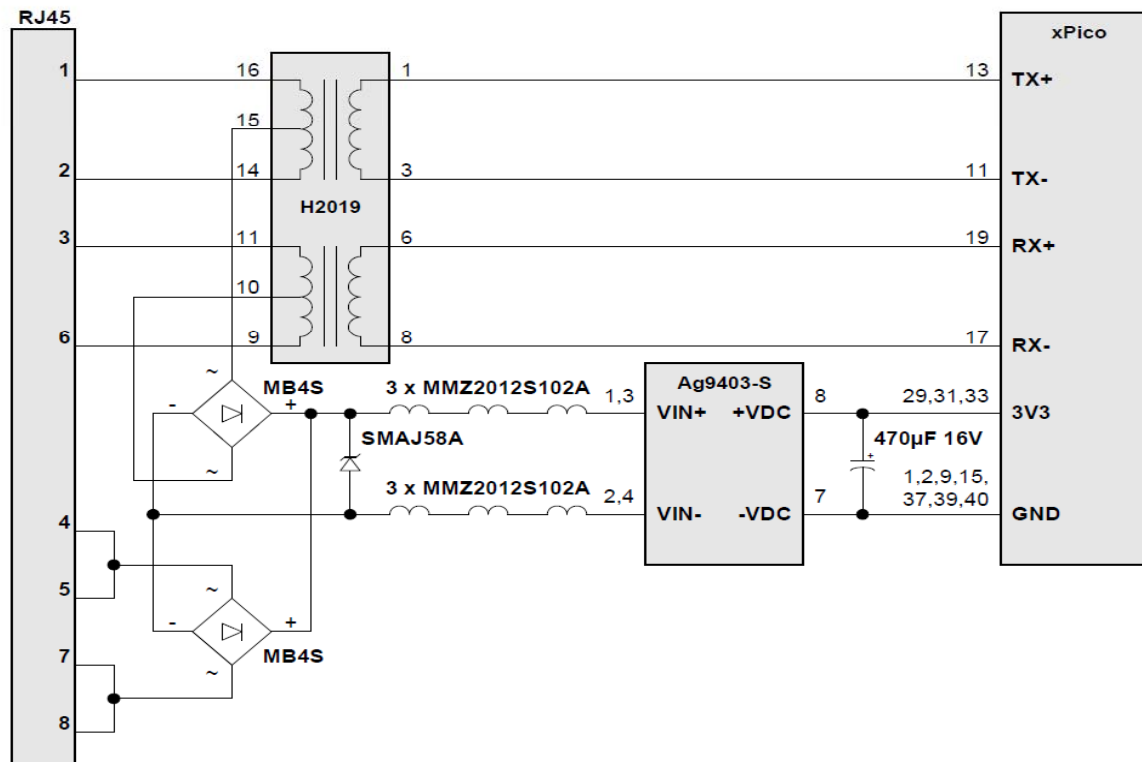


# Ethernet & PoE Solution

The **Silvertel Ag9403 + Lantronix xPico** solution offers a complete Power and Ethernet connectivity solution for up to 13W

**Silvertel PoE modules** extract power from a conventional Category 5 Ethernet cable, conforming to the IEEE 802.3af Power over Ethernet (PoE) standard. These modules are easy to use and require minimal external components.

The PoE modules are available in several different voltage (3.3V, 5V, 12V, 24V) and power options (6W to 200W)



**Lantronix xPico** is designed for quick integration with minimal engineering effort. This chip-sized device provides simplicity and flexibility, making it the fastest and easiest network-enabling module on the market.

SYMMETRY

US ONLY: (866) 506-8829/ (310) 536-6190



WWW.SYMMETRYELECTRONICS.COM

SemiconductorStore.com

