

Product Overview

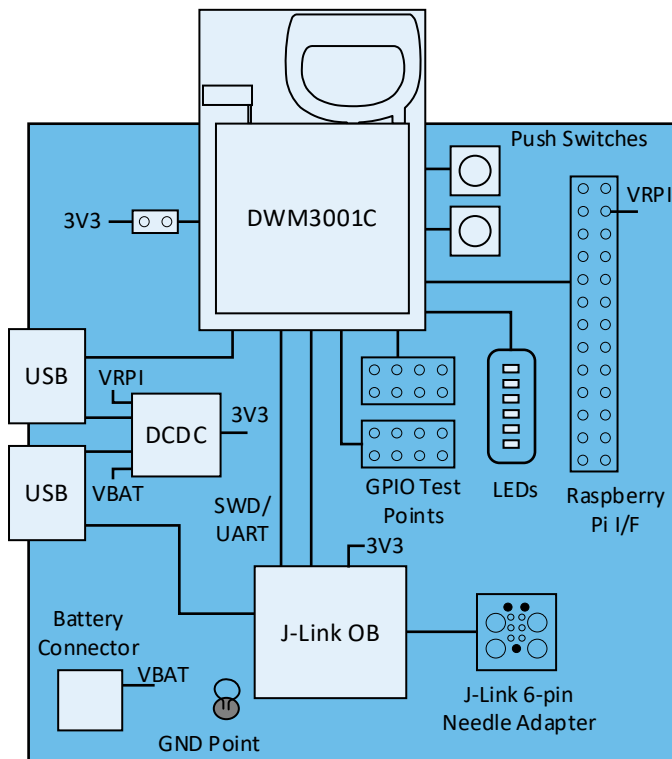
The Qorvo® DWM3001CDK has been developed as a development kit for the DWM3001C fully integrated (UWB) transceiver module based on the Qorvo DW3110 IC. This kit can be used to evaluate hardware performance as a TWR or TDoA Tag and build an evaluation real time location system (RTLS).

Two micro-USB ports connect to the J-Link and DWM3001C USB interface. An on-board J-Link debugger provides SWD and UART interfaces to the DWM3001C. Two micro-USB ports connect to the J-Link and DWM3001C USB interface. The board can be powered from either of these USB ports, a Raspberry Pi interface, a battery or an external power supply.

The DWM3001C is designed to be compliant to the FiRa™ PHY and MAC specifications enabling interoperability with other FiRa™ compliant devices.



Functional Block Diagram



Key Features

- Convenient kit for evaluation of DWM3001C UWB module
- J-Link on-board for debug and flashing via USB
- USB port for direct connection to DWM3001C USB interface
- 26 pin Raspberry Pi compatible header
- Reset and user-defined buttons and LEDs
- Access to all DWM3001C GPIOs and interfaces
- Measure module current via header on VCC trace
- Supports UWB RF bands 5 (6.5 GHz) and 9 (8 GHz)
- nRF52833 Soc with Bluetooth 5.2
- Two integrated antennas for BLE and UWB
- IEEE 802.15.4-2015 and IEEE 802.15.4z BPRF compliant
- Software development with free to use IDE and debugger
- Fully aligned with FiRa™ PHY, MAC and certification development
- Software suite compliant with FiRa PHY/MAC specification.

Applications

- Evaluation of hardware performance as tag or anchor
- Building block for low power TWR and TDoA RTLS systems

Ordering Information

Part Number	Description
DWM3001CDKE1.0	Engineering Development kit

Related Products

Part Number	Description
DWM3001C.E1.0SB	Module Engineering Sample 5 pcs bag
DWM3001C.E1.0SQ	Module Engineering Sample 25 pcs bag
DWM3001C.E1.0SR	Module Engineering Sample 100 pcs on a 7" reel
DWM3001CSR	Module – 100 pcs sample reel
DWM3001CTR13	Module – 500 pcs on 13" reel

Revision History

Revision	Description
A	Initial product release
B	Updated image, added MP part numbers

Contact Information

For the latest specifications, additional product information, worldwide sales and distribution locations:

Web: www.qorvo.com

Tel: 1-844-890-8163

Email: customer.support@qorvo.com

Important Notice

The information contained in this document and any associated documents ("Product Brief Information") is believed to be reliable; however, Qorvo makes no warranties regarding the Product Brief Information and assumes no responsibility or liability whatsoever for the use of said information. All Product Brief Information is subject to change without notice. Customers should obtain and verify the latest relevant Product Brief Information before placing orders for Qorvo® products. Product Brief Information or the use thereof does not grant, explicitly, implicitly or otherwise any rights or licenses to any third party with respect to patents or any other intellectual property whether with regard to such Product Brief Information itself or anything described by such information.

THIS INFORMATION DOES NOT CONSTITUTE A WARRANTY WITH RESPECT TO THE PRODUCTS DESCRIBED HEREIN, AND QORVO HEREBY DISCLAIMS ANY AND ALL WARRANTIES WITH RESPECT TO SUCH PRODUCTS WHETHER EXPRESS OR IMPLIED BY LAW, COURSE OF DEALING, COURSE OF PERFORMANCE, USAGE OF TRADE OR OTHERWISE, INCLUDING THE IMPLIED WARRANTIES OF MERCHANTABILITY AND FITNESS FOR A PARTICULAR PURPOSE. Without limiting the generality of the foregoing, Qorvo® products are not warranted or authorized for use as critical components in medical, life-saving, or life-sustaining applications, or other applications where a failure would reasonably be expected to cause severe personal injury or death. Applications described in the Product Brief Information are for illustrative purposes only. Customers are responsible for validating that a particular product described in the Product Brief Information is suitable for use in a particular application.

© 2021 Qorvo US, Inc. All rights reserved. This document is subject to copyright laws in various jurisdictions worldwide and may not be reproduced or distributed, in whole or in part, without the express written consent of Qorvo US, Inc. | QORVO® is a registered trademark of Qorvo US, Inc.

FiRa, FiRa Consortium, the FiRa logo, the FiRa Certified logo, and FiRa tagline are trademarks or registered trademarks of FiRa Consortium or its licensor(s)/ supplier(s) in the US and other countries and may not be used without permission. All other trademarks, service marks, and product or service names are trademarks or registered trademarks of their respective owners.