

Special Topics

Hall Sensors:

Ordering Codes,
Packaging,
Handling

Copyright, Warranty, and Limitation of Liability

The information and data contained in this document are believed to be accurate and reliable. The software and proprietary information contained therein may be protected by copyright, patent, trademark and/or other intellectual property rights of Micronas. All rights not expressly granted remain reserved by Micronas.

Micronas assumes no liability for errors and gives no warranty representation or guarantee regarding the suitability of its products for any particular purpose due to these specifications.

By this publication, Micronas does not assume responsibility for patent infringements or other rights of third parties which may result from its use. Commercial conditions, product availability and delivery are exclusively subject to the respective order confirmation.

Any information and data which may be provided in the document can and do vary in different applications, and actual performance may vary over time.

All operating parameters must be validated for each customer application by customers' technical experts. Any new issue of this document invalidates previous issues. Micronas reserves the right to review this document and to make changes to the document's content at any time without obligation to notify any person or entity of such revision or changes. For further advice please contact us directly.

Do not use our products in life-supporting systems, aviation and aerospace applications! Unless explicitly agreed to otherwise in writing between the parties, Micronas' products are not designed, intended or authorized for use as components in systems intended for surgical implants into the body, or other applications intended to support or sustain life, or for any other application in which the failure of the product could create a situation where personal injury or death could occur.

No part of this publication may be reproduced, photocopied, stored on a retrieval system or transmitted without the express written consent of Micronas.

Third-Party Trademarks

All other brand and product names or company names may be trademarks of their respective companies.

Contents

Page	Chapter	Title
4	1.	Ordering Codes for Hall Sensors
4	1.1	Overview
5	1.2	Hall Sensor
5	1.3	Sensor Type
5	1.4	Package "PA"
5	1.5	Temperature Range "T"
6	1.6	Configuration "C"
7	1.7	Packaging "P"
7	1.8	Quantity "Q"
8	1.9	Special Procedure "SP"
9	2.	Selection Guide
11	3.	Outline Dimensions
24	4.	Marking and Packaging
24	4.1	Marking of the Production Types
24	4.2	Special Marking of Prototype Parts
25	4.3	Packaging Labels
25	4.4	Packaging
30	5.	Notes on Processing
30	5.1	Structure of the Sensors
30	5.2	Soldering
30	5.3	Storage and Shelf Life
31	5.4	Processing
31	5.5	Bending the Legs
31	5.6	Overmolding and Potting
32	9.	Document History

1. Ordering Codes for Hall Sensors

Release Note: Revision bars indicate significant changes to the previous edition. This document is intended as a guideline for ordering and handling Micronas Hall sensors and is not to be considered as a delivery specification with guaranteed values.

1.1 Overview

The Product group “Hall sensors” from Micronas comprises several families of Hall switches and linear sensors available in a variety of packages, packaging variants, and temperature ranges.

This brochure gives an overview of the packaging variants and explains the ordering code system.

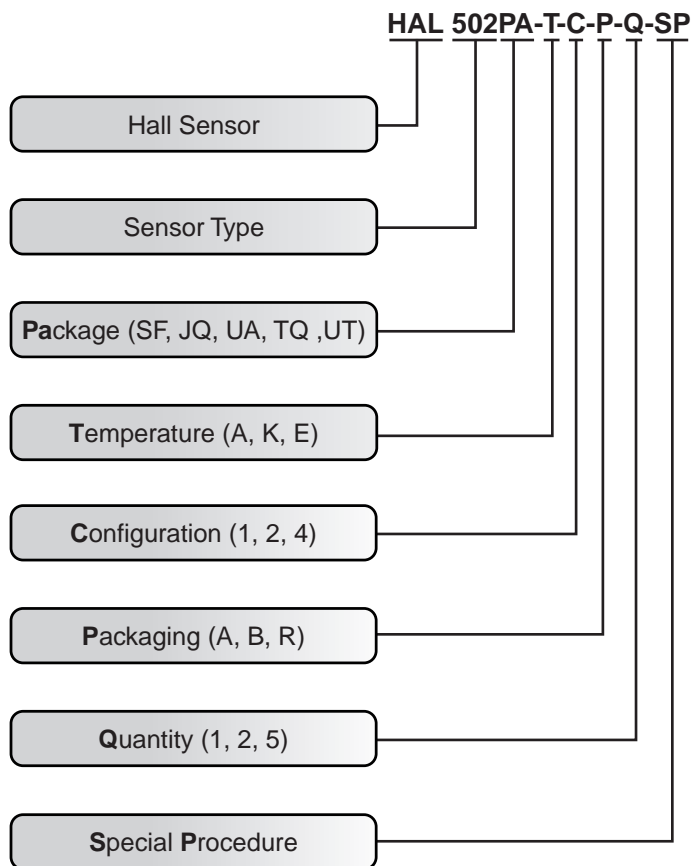


Figure 1: Key to ordering codes

First, all components of the ordering codes are explained separately. In section 2, from page 9 onwards, the complete ordering codes for the packaging variants are shown. This overview also serves as a selection guide. In section 4, from page 24 onwards, marking of the sensors and available packaging units with their ordering codes are displayed.

The sensor type is determined by the application, the package, and the temperature range. Therefore, the first part of the ordering code is already specified, while the second part depends on the desired packaging variant.

1.2 Hall Sensor

The first three characters of the ordering codes are fixed to “HAL” as symbolic designation for all Hall sensors.

1.3 Sensor Type

The following three to four digits are reserved for the designation of the sensor. Thus, the sensor type “502” refers to the Hall sensor “HAL 502”. A detailed description of functions, features, and parameters can be found in the data sheet “HAL 5xx”.

1.4 Package “PA”

The Hall sensors from Micronas are available in the following packages:

Table 1: Package Codes

Package Code	Package	Pins
UA, JQ	TO-92UA	leaded
UT	TO-92UT	leaded
SF, TQ	SOT-89B	SMD

1.5 Temperature Range “T”

The Hall sensors from Micronas are suitable for the following temperature ranges:

Table 2: Temperature Codes

Temperature Code	Junction temperature range (T_J) of the sensors	
	min.	max.
E	-40 °C	100 °C
K	-40 °C	140 °C
A	-40 °C	170 °C

Note: The specified temperature ranges for all sensors in this brochure and in the data sheets always refer to the junction temperature. On account of self-heating, the junction temperature (T_J) is always higher than the ambient temperature (T_A). The relationship between junction temperature and ambient temperature is explained in the data sheet section „Application Notes“. This allows the calculation of the maximum permissible ambient temperature for the appropriate application.

The maximum permissible ambient temperature is always lower than the specified junction temperature.

The following table gives an overview of packages availability and temperature ranges.

Table 3: Packages and temperature ranges of the sensors

Type	UA-A	UA-K	UA-E	SF-A	SF-K	SF-E	UT-A	UT-K	JQ-K	TQ-K
HAL 2xy	–	–	–	–	–	–	–	–	•	•
HAL 300, HAL 320	•	•	–	•	•	–	–	–	–	–
HAL 4xy	–	–	–	•	•	–	–	–	–	–
HAL 50x, HAL 51x HAL 52x	•	•	–	•	•	–	–	–	–	–
HAL 54x	–	•	•	–	•	•	–	–	–	–
HAL 55x, HAL 56x	–	•	•	–	•	•	–	–	–	–
HAL 57x, HAL 58x	–	•	•	–	•	•	–	–	–	–
HAL 7xx	–	–	–	–	•	•	–	–	–	–
HAL 8xx	–	–	–	–	–	–	•	•	–	–
HAL 1000	–	–	–	–	–	–	•	•	–	–

• = variant available

– = variant not available

1.6 Configuration “C”

Three different configurations are offered.

The packages TO-92UA and TO-92UT are offered in two configurations. The basic type has straight legs (inline, not spread; configuration “2”). For simple PCB designs, this package is also available with spread legs (inline, spread; configuration “1”).

Table 4: Description of the configuration codes

Configuration Code	Configuration	Remark
1	Inline, spread TO-92UA or TO-92UT	see Figure 4 on page 11, Figure 6 on page 13, Figure 8 on page 15, and Figure 10 on page 17
2	Inline, not spread TO-92UA or TO-92UT	see Figure 5 on page 12, Figure 7 on page 14, and Figure 9 on page 16
4	SOT-89B on blister tape	see Figure 12 on page 19, Figure 13 on page 20, and Figure 14 on page 21

The SOT-89B is produced in a 3-pin and a 4-pin version. The detailed pin configuration is described in the appropriate data sheet.

1.7 Packaging “P”

Depending on the sensor package, different packaging variants are offered:

All sensors in the packages TO-92UA and TO-92UT are available in both bulk and carrier tape form (Ammopack, according to IEC 286) with straight and spread legs. The four possible variants are shown in Figure 3 on page 10 by means of an example. Detailed dimensions for the Ammopack are shown in Figure 15 on page 22 and Figure 16 on page 23.

The package SOT-89B is available in blister tapes on reels according to IEC 286. Figure 2 on page 9 demonstrates both variants.

Table 5: Packaging Codes

Packaging Code	Delivery	Package
B	Bulk	TO-92UA and TO-92UT
A	Ammopack	TO-92UA and TO-92UT
R	Reel	SOT-89B

1.8 Quantity “Q”

The sensors are delivered in different packaging units and quantities. The packaging size is determined by the inner packaging (basic unit) and the outer packaging (cardboard box).

Only entire packaging units (outer packaging) can be ordered.

Table 6: Delivery Quantities

Quantity Code	External Packaging	Internal Packaging	Package and Form Of Delivery
1	2000	1000	TO-92UA/UT Bulk: 2 bags with 1000 sensors or SOT-89B: 2 Reels with 1000 sensors
2	2000	2000	TO-92UA/UT Ammopack 1 tape with 2000 sensors
5	15000	5000	SOT-89B Reel 3 reels with 5000 sensors

Packaging is described from page 24 onwards.

The following tables show possible variants of configuration, packaging, and quantity depending on the sensor's package.

Table 7: Available Variants for TO-92UA/UT

Configuration Code	Packaging Code	Quantity Code		
		1	2	5
1 (=spread)*	A (=Ammopack)*	–	•	–
1 (=spread)*	B (=Bulk)*	•	–	–
2 (=non-spread)	A (=Ammopack)*	–	•	–
2 (=non-spread)	B (=Bulk)	•	–	–

• = Variant available – = Variant not available * not available for HAL 2xy

In Figure 3 on page 10, an overview with examples and the complete ordering codes is given in the selection guide.

Table 8: Available Variants for SOT-89B

Configuration Code	Packaging Code	Quantity Code		
		1	2	5
4 (=SMD)	R (=Reel)	•	–	•

• = Variant available – = Variant not available

In Figure 2 on page 9 an overview with examples and the complete ordering codes is given in the selection guide.

1.9 Special Procedure “SP”

These two characters of the ordering code are reserved for customer-specific variants (special conditions). Should this be the case, please use the number code provided by Micronas.

The value “00” is used for standard parts.

2. Selection Guide

In this section, possible forms of delivery and the appropriate ordering codes are shown using the sensor “HAL 502” in the temperature range “A” as an example.

Table 3 demonstrates the available variants (sensor type, package, and temperature range).

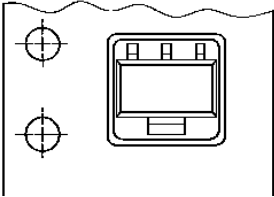
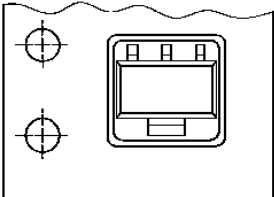
<p>Blister Tape 12 mm Reel Diameter 180 mm</p> <p>Configuration Code: 4 (SOT-89B) Packaging Code: R (Reel) Quantity Code: 1 (1000/2000)</p> <p>Example: HAL 502SF-A-4-R-1-00</p>	
<p>Blister Tape 12 mm Reel Diameter 330 mm</p> <p>Configuration Code: 4 (SOT-89B) Packaging Code: R (Reel) Quantity Code: 5 (5000/15000)</p> <p>Example: HAL 502SF-A-4-R-5-00</p>	

Figure 2: Possible forms of delivery for sensors in the package SOT-89B

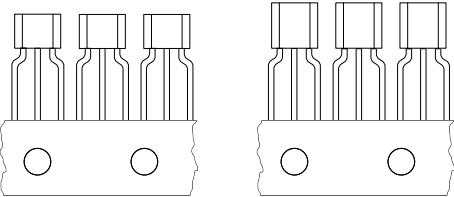
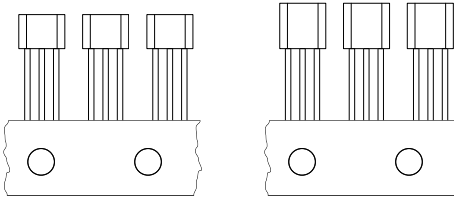


<p>Ammopack Inline spread</p> <p>Configuration Code: 1 (TO-92UA/UT, spread) Packaging Code: A (Ammopack) Quantity Code: 2 (2000/2000)</p> <p>Example: HAL 502UA-A-1-A-2-00</p>	
<p>Ammopack Inline not spread</p> <p>Configuration Code: 2 (TO-92UA/UT, inline) Packaging Code: A (Ammopack) Quantity Code: 2 (2000/2000)</p> <p>Example: HAL 502UA-A-2-A-2-00</p>	
<p>Bulk Inline spread</p> <p>Configuration Code: 1 (TO-92UA/UT, spread) Packaging Code: B (Bulk) Quantity Code: 1 (1000/2000)</p> <p>Example: HAL 502UA-A-1-B-1-00</p>	
<p>Bulk Inline not spread</p> <p>Configuration Code: 2 (TO-92UA/UT, inline) Packaging Code: B (Bulk) Quantity Code: 1 (1000/2000)</p> <p>Example: HAL 502UA-A-2-B-1-00</p>	

Figure 3: Possible forms of delivery for sensors in the package TO-92UA or TO-92UT

3. Outline Dimensions

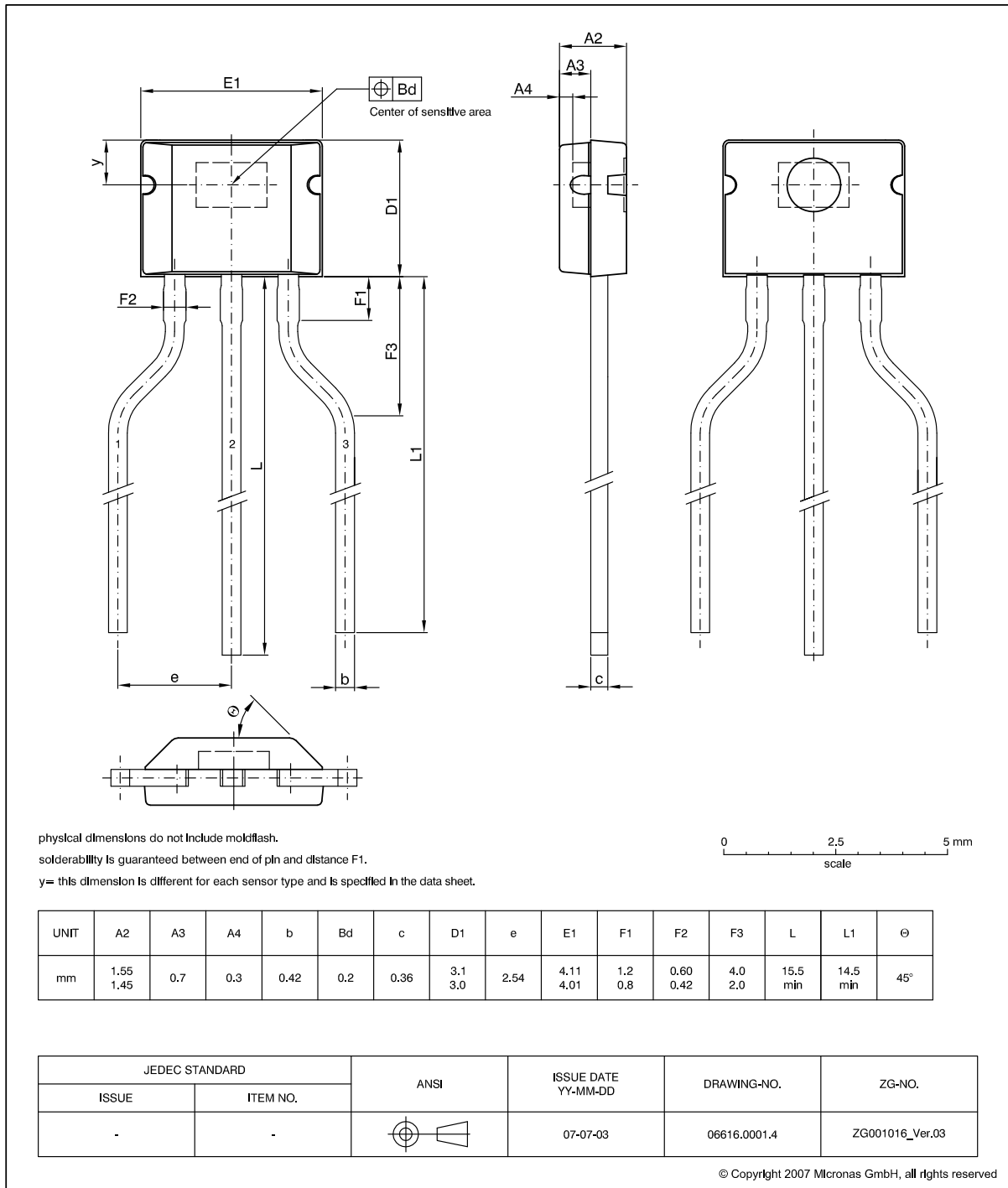


Figure 4:
TO92UA-1: Plastic Transistor Standard UA package, 3 leads, spread
 Weight approximately 0.105 g

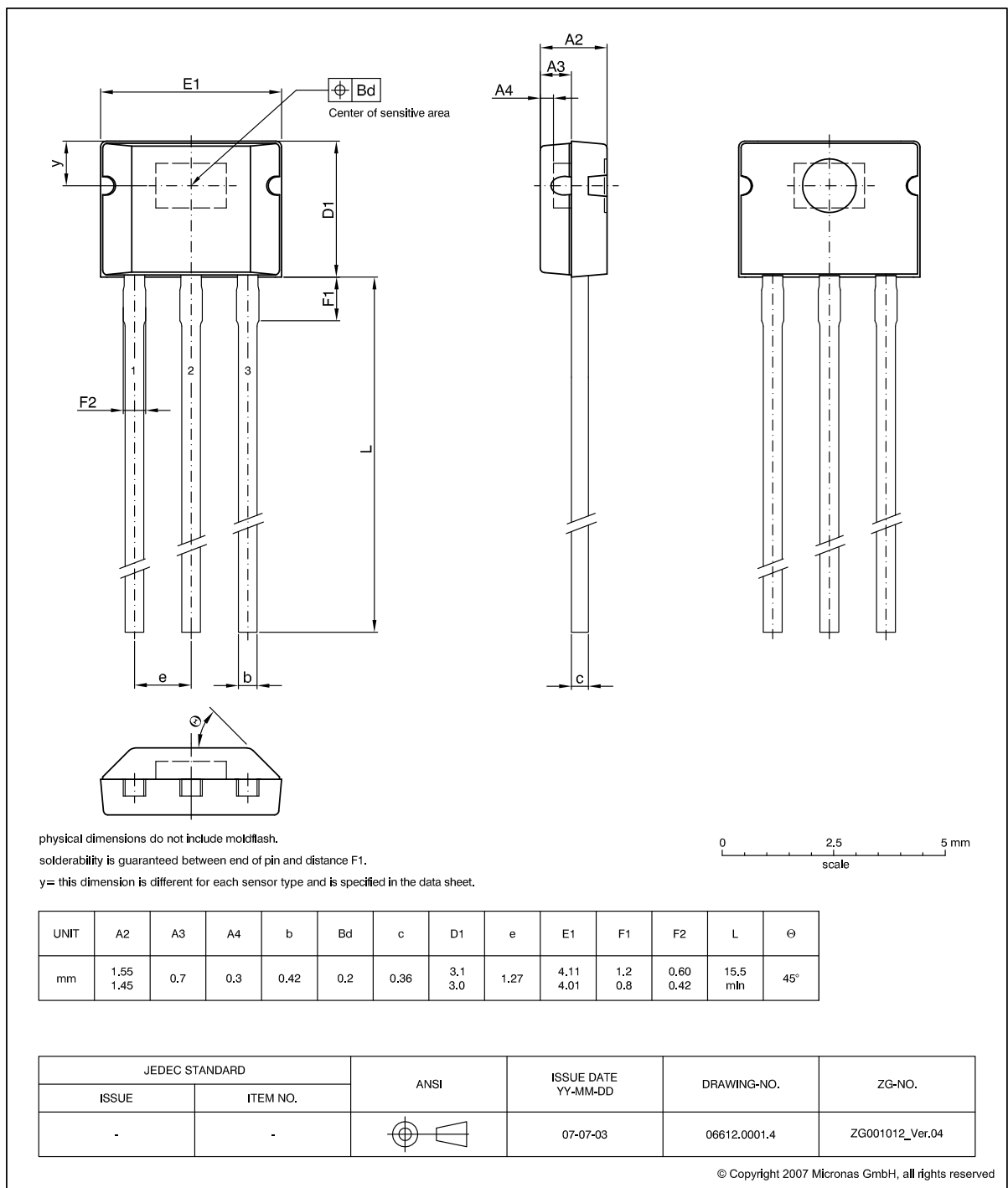


Figure 5:
TO92UA-2: Plastic Transistor Standard UA package, 3 leads, non-spread
 Weight approximately 0.105 g

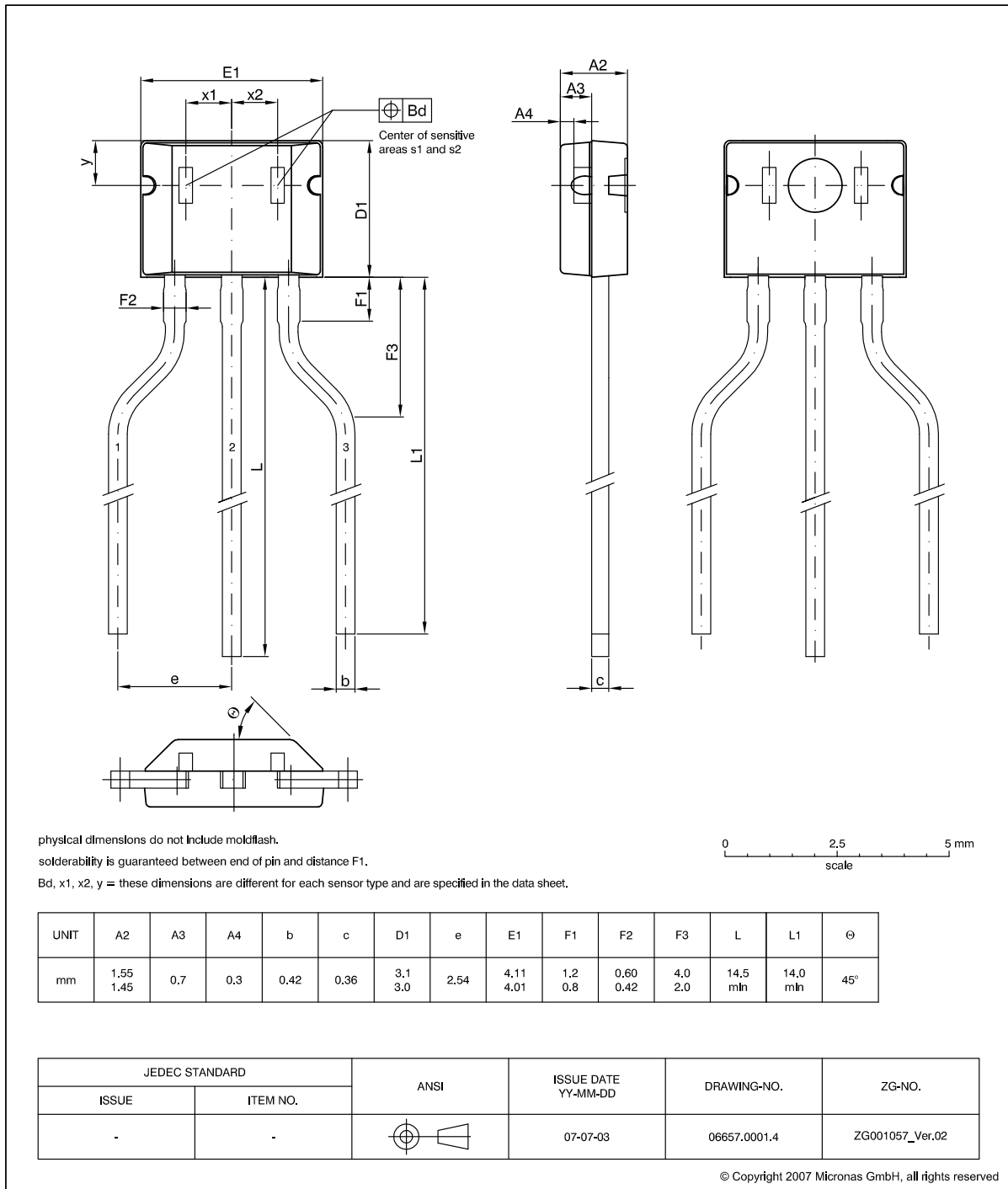


Figure 6:
T092UA-3: Plastic Transistor Standard UA package, 3 leads, spread, two sensitive areas
Weight approximately 0.105 g

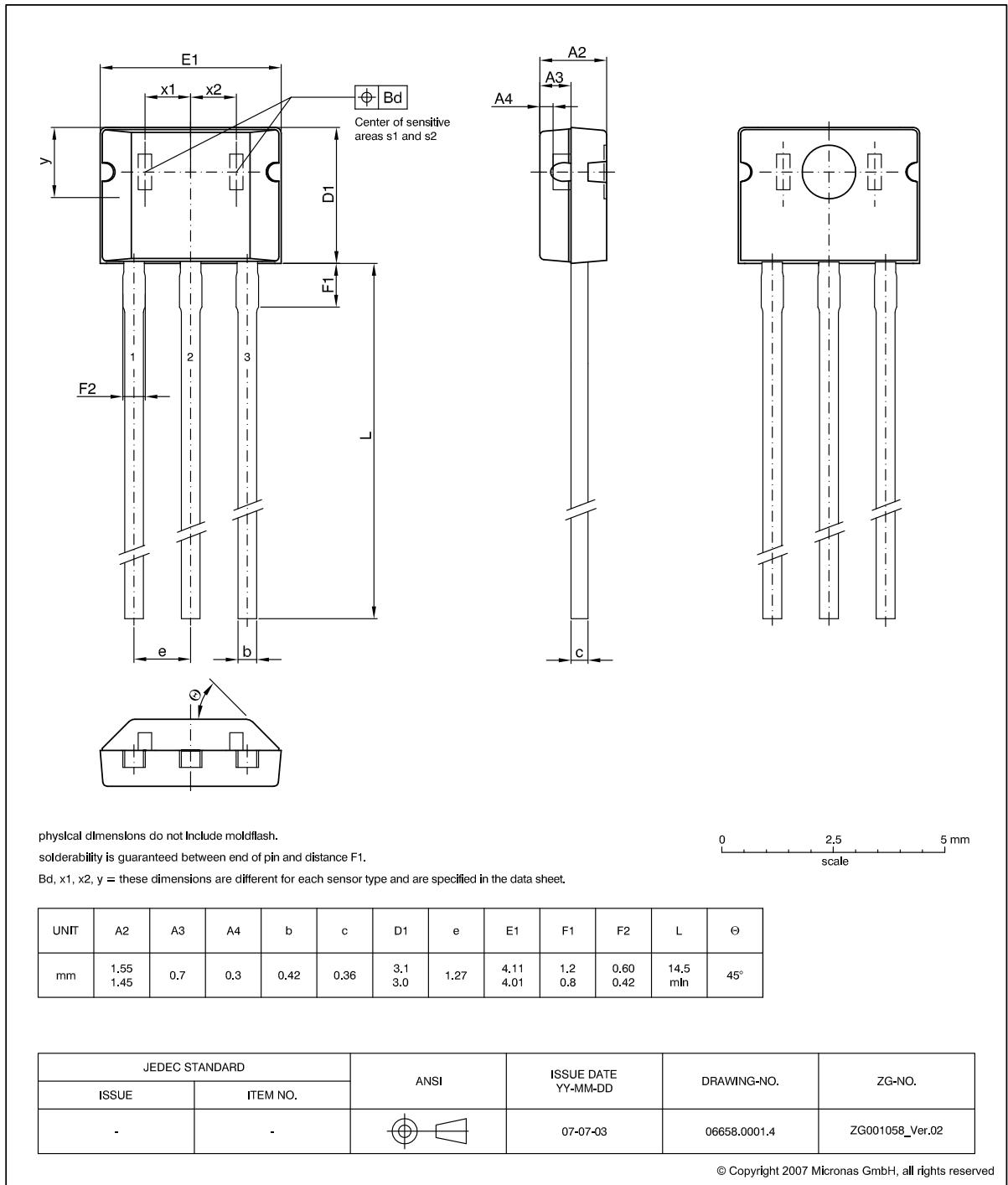


Figure 7:
TO92UA-4: Plastic Transistor Standard UA package, 3 leads, non-spread, two sensitive areas
Weight approximately 0.105 g

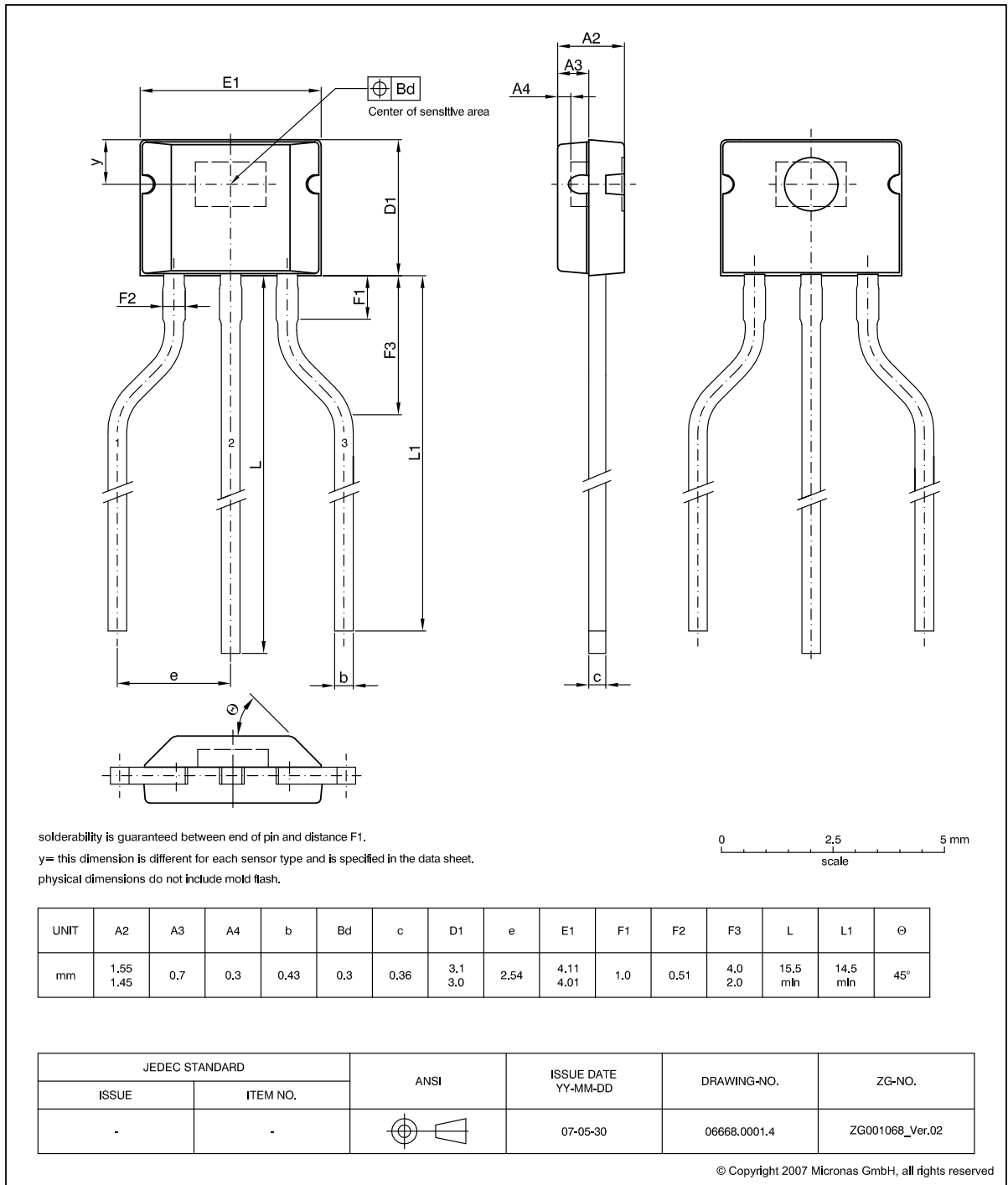


Figure 8:
TO92UA-5 Plastic Transistor Standard UA package, 3 leads, spread
 Weight approximately 0.105 g

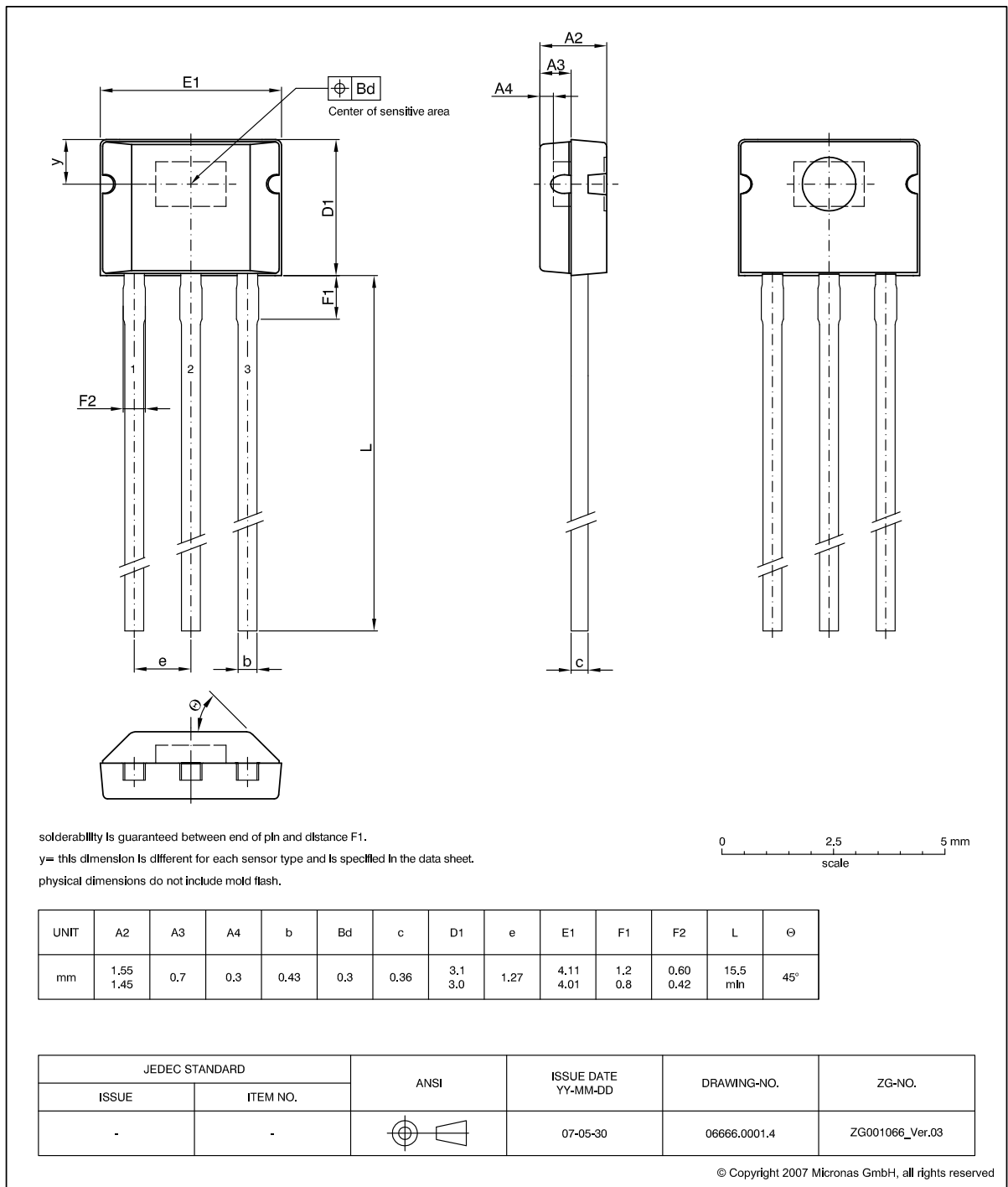


Figure 9:
TO92UA-6 Plastic Transistor Standard UA package, 3 leads, non-spread
 Weight approximately 0.105 g

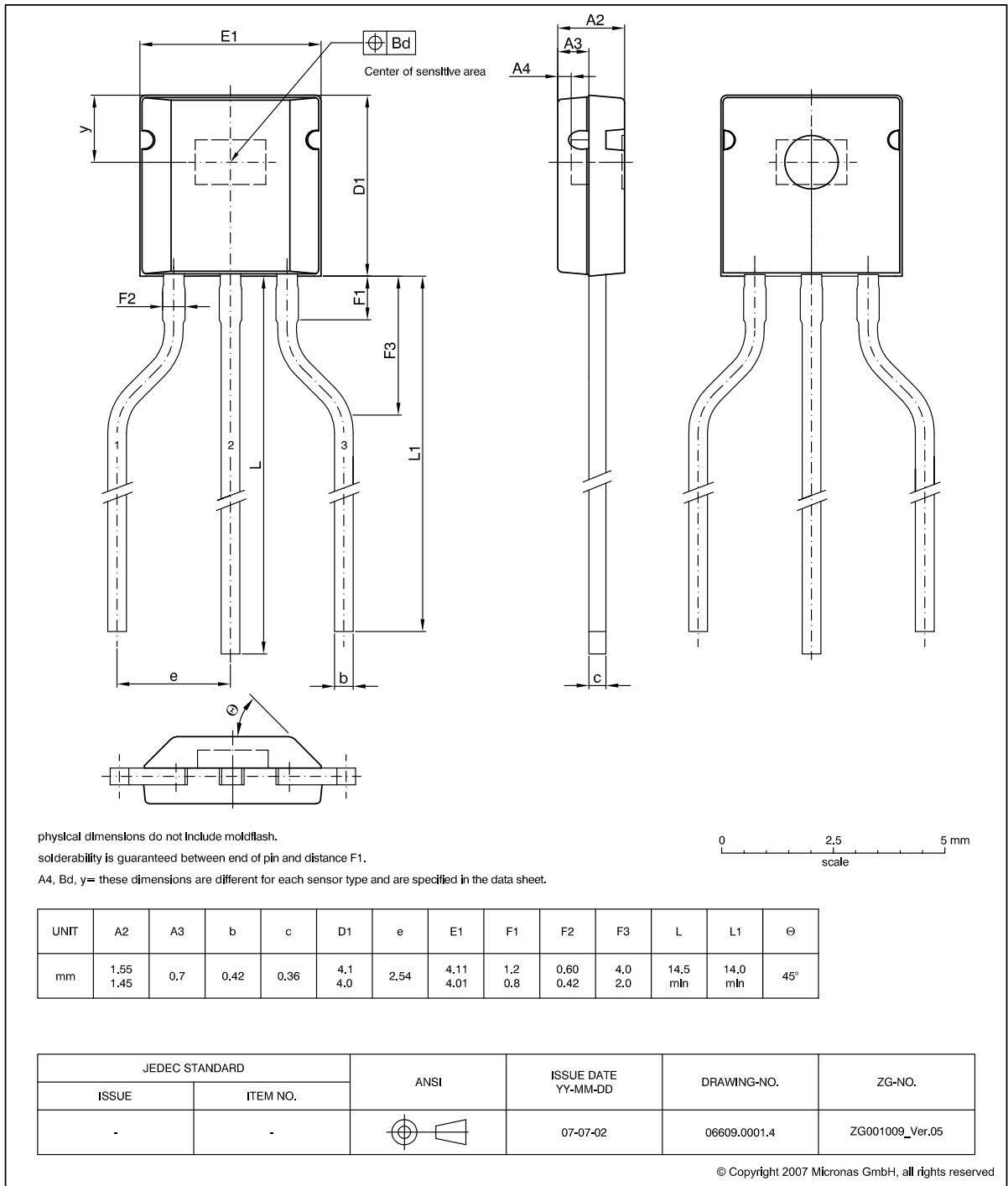


Figure 10:
TO92UT-1 Plastic Transistor Standard UT package, 3 leads, spread
 Weight approximately 0.120 g

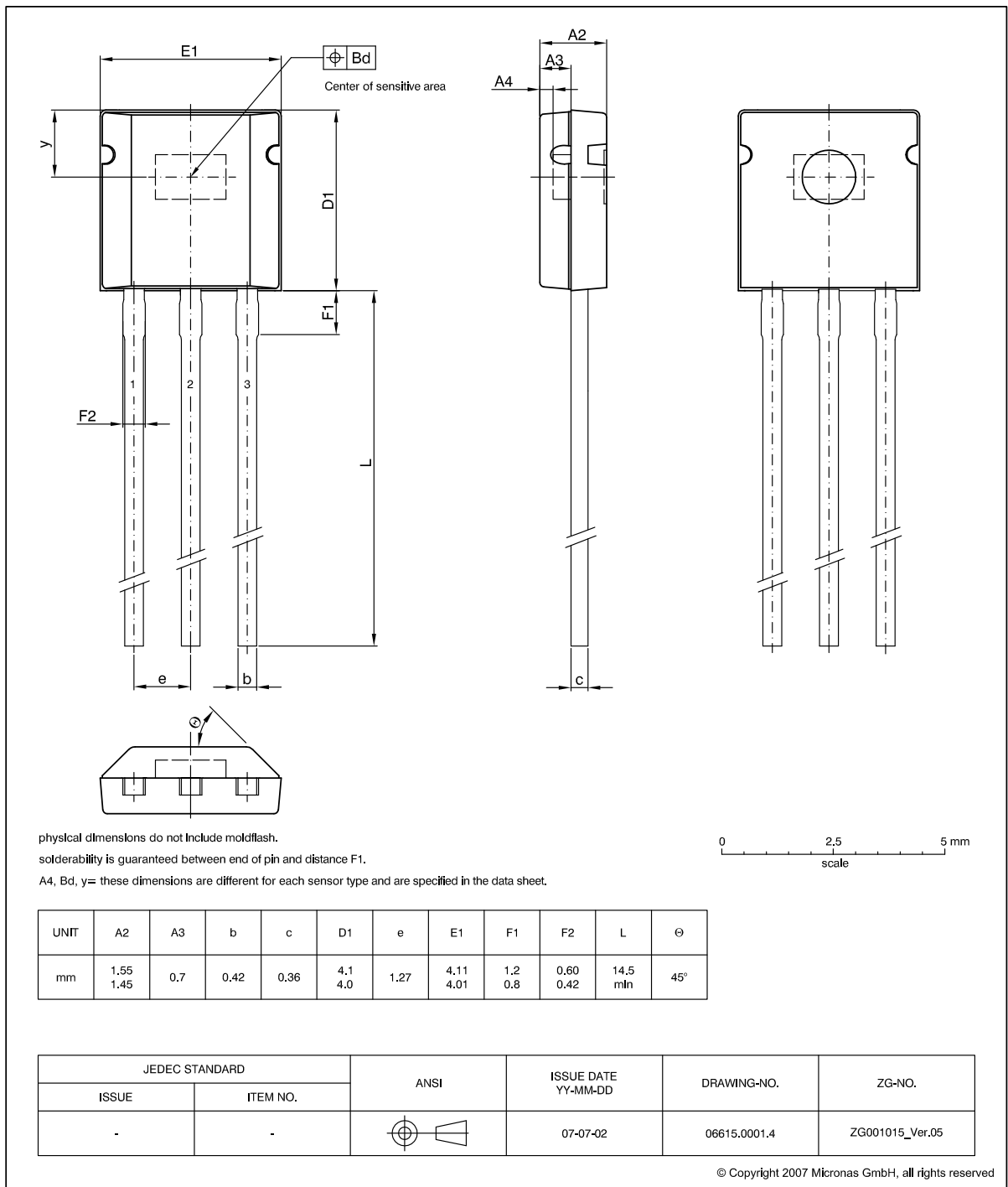


Figure 11:
TO92UT-2 Plastic Transistor Standard UT package, 3 leads, non-spread
 Weight approximately 0.120 g

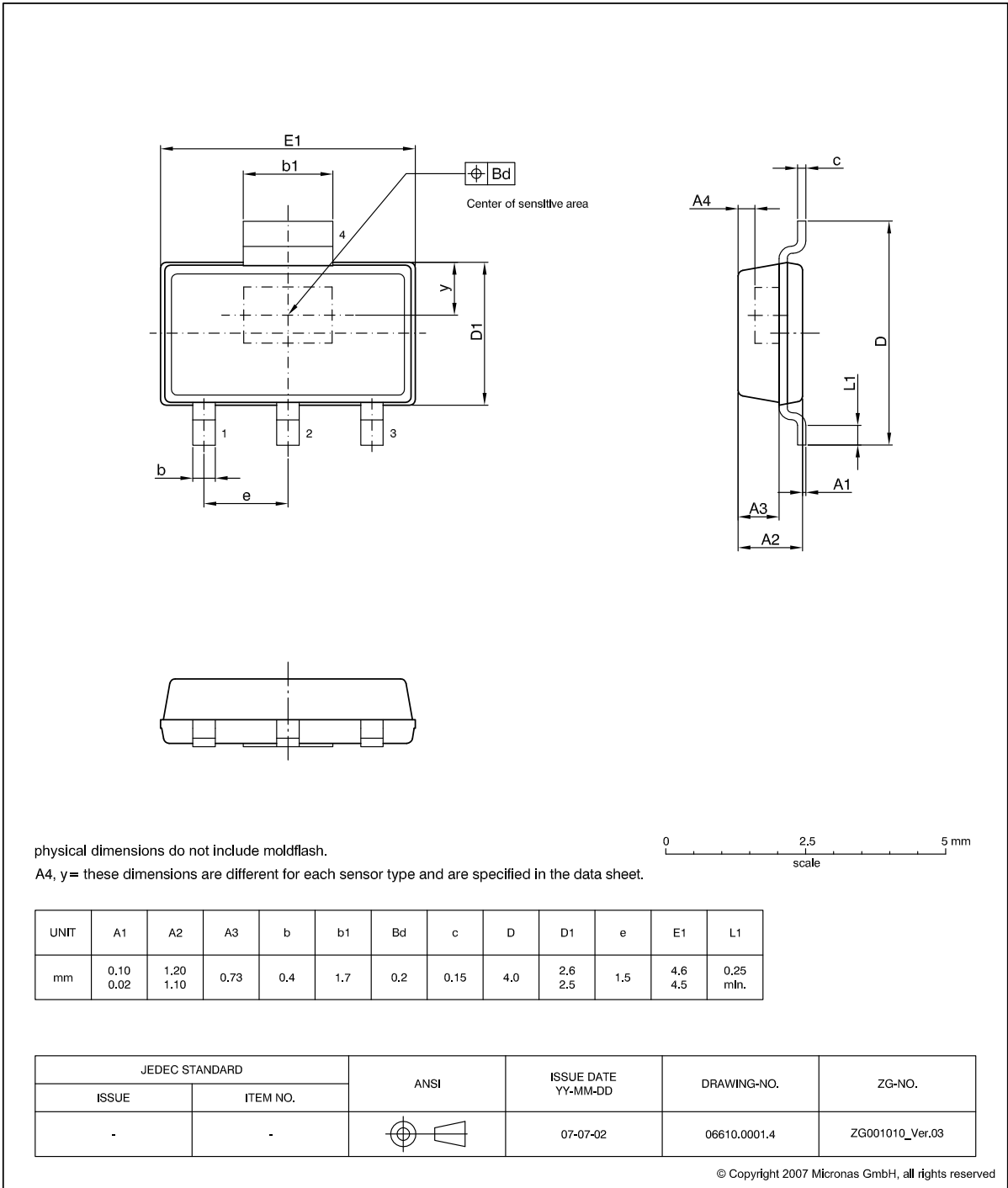


Figure 12:
SOT89B-1: Plastic Small Outline Transistor package, 4 leads
Weight approximately 0.034 g

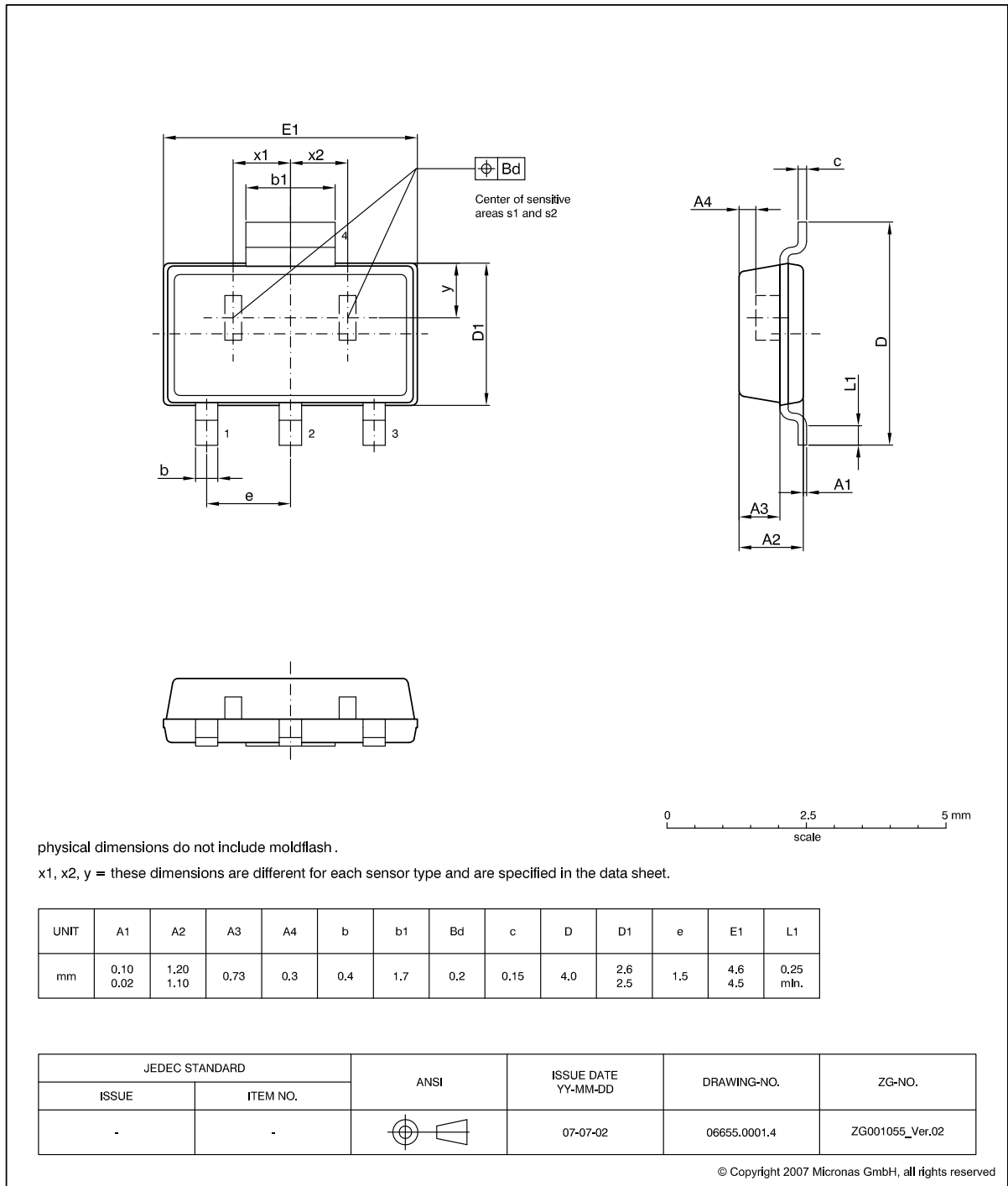


Figure 13:
SOT89B-2: Plastic **S**mall **O**utline **T**ransistor package, 4 leads, with two sensitive areas
 Weight approximately 0.034 g

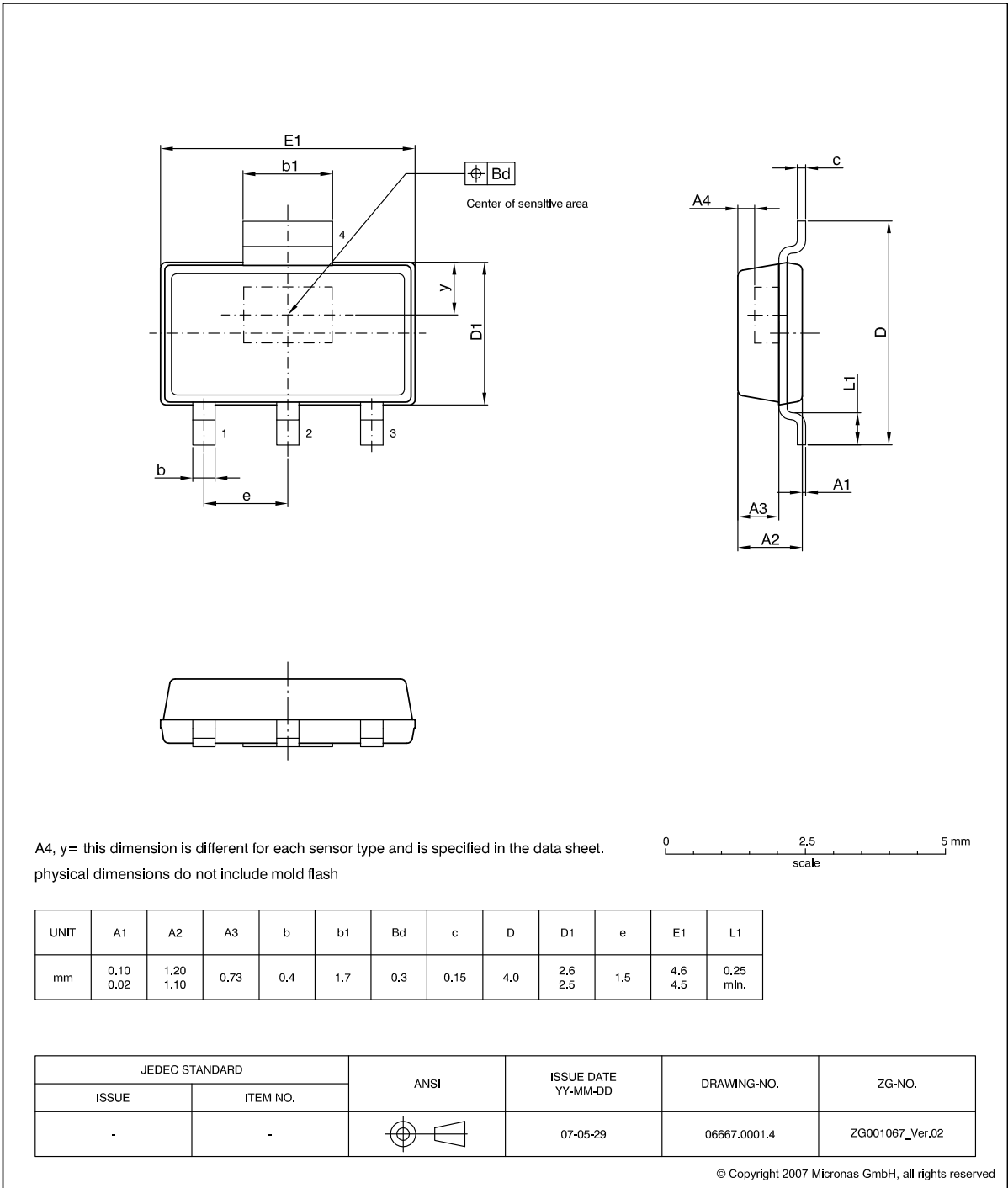


Figure 14:
SOT89B-3: Plastic **S**mall **O**utline **T**ransistor package, 4 leads
 Weight approximately 0.034 g

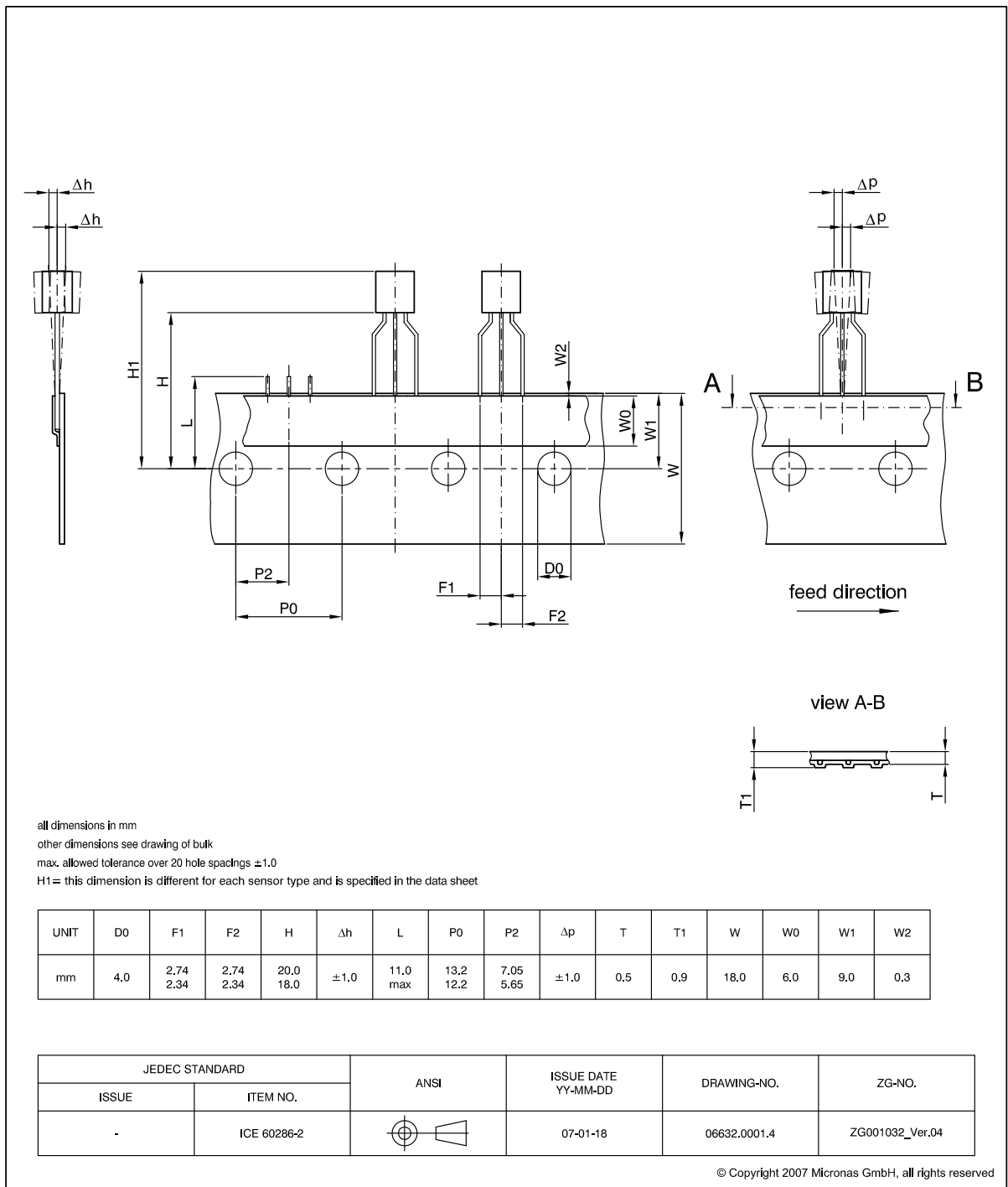


Figure 15:
TO92UA/UT: Dimensions ammpack inline, spread

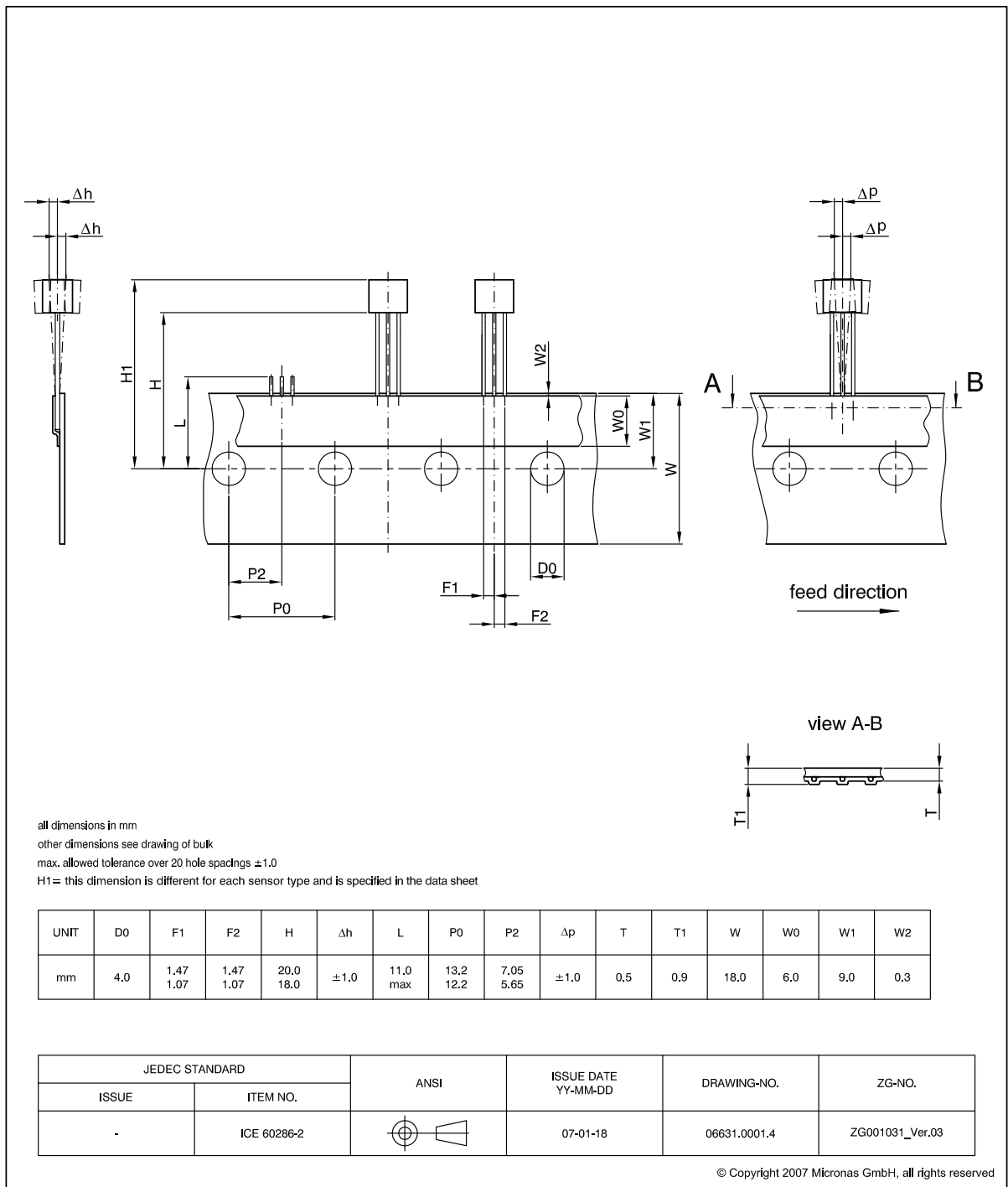


Figure 16:
TO92UA/UT: Dimensions ammpack inline, non-spread

4. Marking and Packaging

4.1 Marking of the Production Types

All sensors are marked on top of the package (branded side). Because of the small outline, only sensor type, temperature range, and date code (date of finishing) are labeled. Marking is done via laser beam. For the TO-92UT package, a third line is available. This third line is used for Micronas internal information.

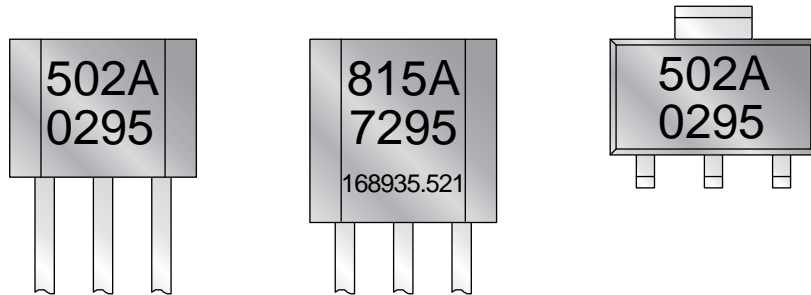


Fig. 17: Marking of the sensors

The upper row includes the designation of the sensors and the junction temperature range T_J . Marking corresponds to the information in the data sheets (section “marking code”).

In the lower row, the date code is represented as a 4-digit number.

Note: The content of the third line can be changed by Micronas at any time. The lot number is shown in this example, but it could also show some other information, such as equipment number, etc.

Date Code

1 st Digit	2 nd Digit and 3 rd Digit	4 th Digit
Year (0...9)	Week (1...52)	Day (1...7)
9=1999, 0=2000, 1=2001 etc.	01=Week 1 to 52=Week 52	1=Monday to 7=Sunday

Example:

In figure 17, the HAL 502 in temperature range “A” is depicted. The date code is 0295.

These sensors have been finished in 2000, week 29 on the fifth day (Friday): This was the 21st of July 2000.

4.2 Special Marking of Prototype Parts

Prototype parts are coded with an underscore beneath the temperature range letter and on each IC. They may be used for lab experiments and design-ins but are not intended to be used for qualification tests or as production parts.

Operating Junction Temperature Range (T_J)

A: $T_J = -40\text{ °C to }+170\text{ °C}$

K: $T_J = -40\text{ °C to }+140\text{ °C}$

E: $T_J = -40\text{ °C to }+100\text{ °C}$

4.3 Packaging Labels

Both the outer packaging, as well as the inner packaging units are labeled with all relevant information. Figure 18 gives an example describing each element separately.

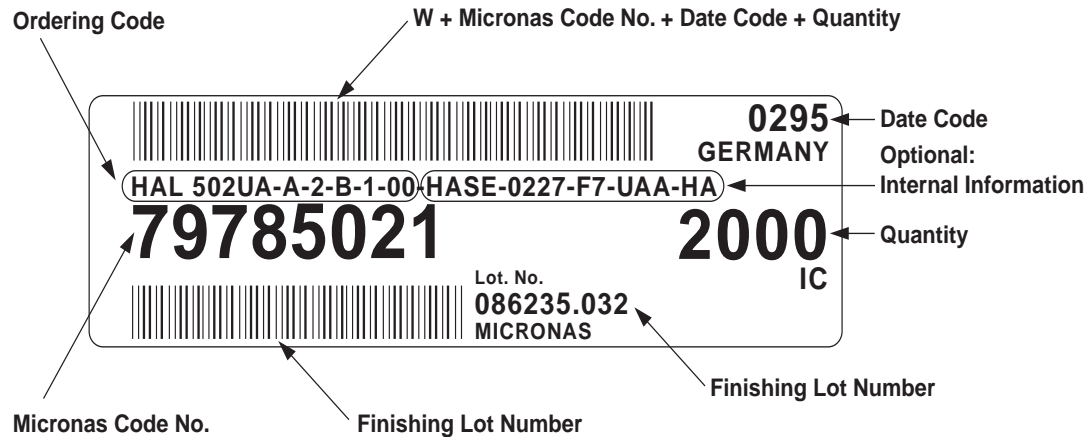


Fig. 18: Information on the label

The complete ordering code plus additional internal information is printed on the label. The internal information is optional. The Micronas code number refers to this ordering code. Every packaging variant is defined by the complete ordering code or the Micronas code number.

Moreover, the label contains the date code, the quantity of sensors, and the lot number (Micronas charge number).

Note: The lot number on the label enables internal backtracking of the sensor. In case of further inquiries, please provide us with this number or a copy of the label.

The date code on the label represents the finishing code of the complete packing unit. It can differ from the date code on the sensor package or from the date code on the inner bag label.

The label includes two barcode markings for automatic registration. The upper barcode starts with "W", followed by the Micronas code number, the date code, and the quantity. The lower barcode contains the lot number (Micronas charge number).

4.4 Packaging

On the following pages, all packaging variants are shown separately. Each quantity code refers to a particular packaging variant.

In the illustrations, the labels carry a real ordering code. All other data – especially the Micronas code number – is represented symbolically.

Quantity Code: 1

For quantity code “1”, sensors in the package **SOT-89B** are delivered in a cardboard box containing 2000 pieces. (2 reels with 1000 sensors each). The cardboard box has two labels; each reel is individually labeled.

Dimensions in mm

Cardboard Box			Reel
Length	Width	Height	Diameter
200	190	40	180

The appropriate order codes are HAL xxxSF-x-4-R-1-00 or HAL xxxTQ-x-4-R-1-00

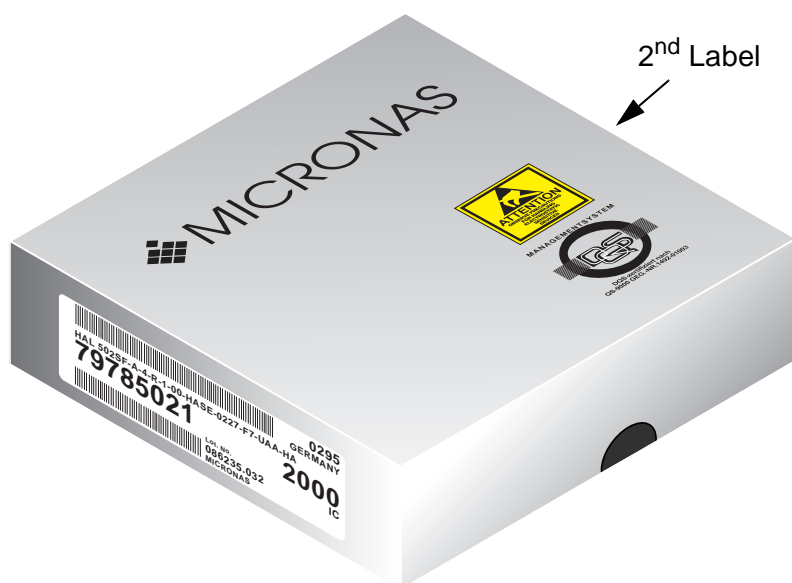


Fig. 19: Closed cardboard box

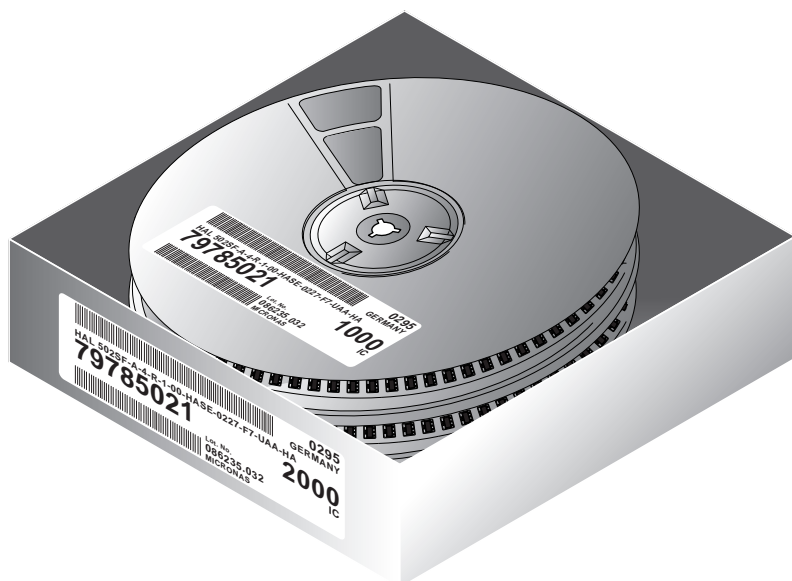


Fig. 20: Inner view

For quantity code “1”, sensors in the package **TO-92UA** or **TO-92UT** are delivered in a cardboard box containing 2000 pieces bulk (2 bags with 1000 sensors each). The cardboard box has two labels; each bag is individually labeled.

Dimensions in mm

Cardboard Box		
Length	Width	Height
350	115	40

All sensors in the package TO-92UA or TO-92UT with straight or spread legs are available in this packaging variant.

The appropriate order codes are

HAL xxxUA/JQ/UT-x-**2-B-1**-00 for sensors with straight legs (inline, not spread)

HAL xxxUA/UT-x-**1-B-1**-00 for sensors with spread legs (inline, spread)



Fig. 21: Closed cardboard box

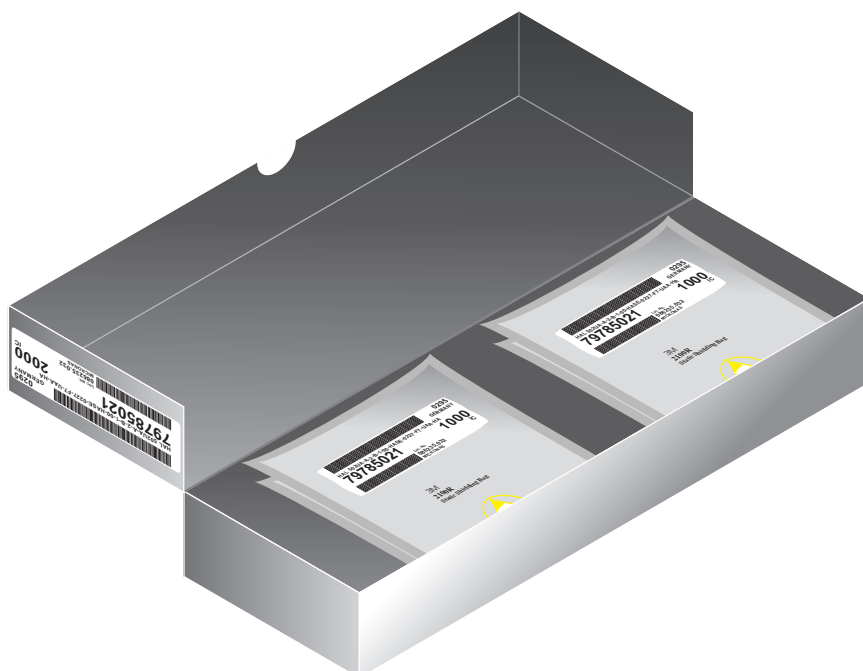


Fig. 22: Inner view

Quantity Code: 2

For quantity code “2”, sensors in the package **TO-92UA** or **TO-92UT** are delivered in a cardboard box containing 2000 pieces in carrier tape (Ammopack: folded tape without additional packaging). The cardboard box has two labels.

Dimensions in mm

Cardboard Box		
Length	Width	Height
350	115	40

All sensors in the package TO-92UA or TO-92UT with straight or spread legs are available in this packaging variant.

The appropriate order codes are

HAL xxxUA/UT-x-2-A-2-00 for sensors with straight legs (inline, not spread)

HAL xxxUA/UT-x-1-A-2-00 for sensors with spread legs (inline, spread)



Fig. 23: Closed cardboard box

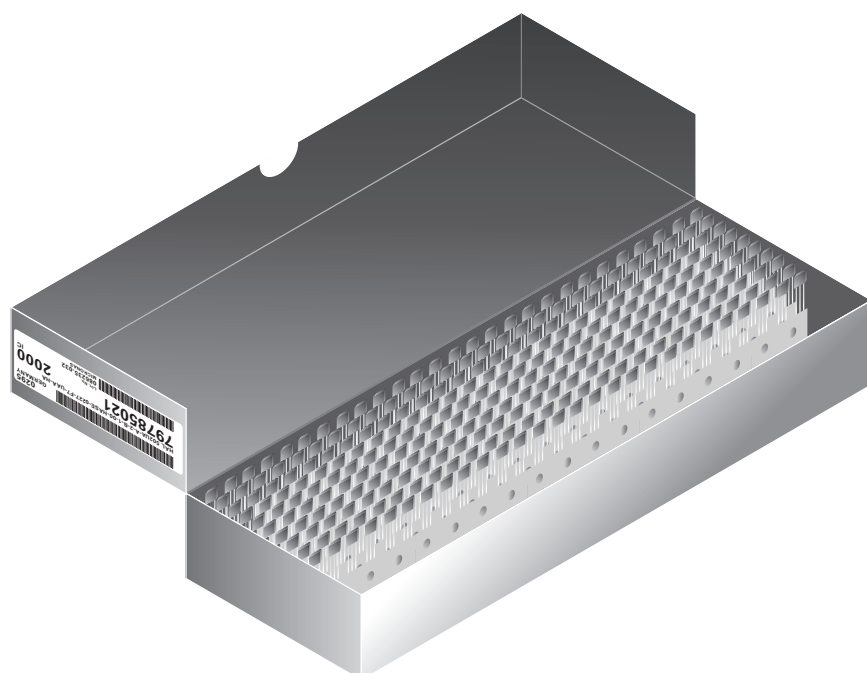


Fig. 24: Inner view

Quantity Code: 5

For quantity code “5”, sensors in the package **SOT-89B** are delivered in a cardboard box containing 15000 pieces (3 reels with 5000 sensors each).

The cardboard box has two labels; each reel is individually labeled.

Dimensions in mm

Cardboard Box			Reel
Length	Width	Height	Diameter
340	340	115	330

All sensors in the package SOT-89B are available in this packaging variant.

The appropriate order codes are HAL xxxSF-x-4-R-5-00 or HAL xxxTQ-x-4-R-5-00



Fig. 25: Closed cardboard box including the three reels

5. Notes on Processing

All Hall sensors from Micronas are manufactured in CMOS technology and are provided with internal ESD protection devices. In general, CMOS components may become damaged or destroyed by electrostatic discharge (ESD).

The DIN EN 61340-5 “Protection of ESD-endangered components” describes in detail the requirements for ESD-proof working places, transport and storage. The sensors should only be processed in working areas fulfilling these requirements.

ESD-performance is verified during the internal device qualification procedure. The results are included in the reliability report. Please contact Micronas for detailed information.

5.1 Structure of the Sensors

Micronas uses a thermosetting mold compound. The legs are made of pure copper, which is galvanically plated after molding. The plating consists of 100% tin.

All sensors are equipped with an active offset compensation, which minimizes the influence of mechanical stress on the magnetic characteristics.

5.2 Soldering

The packages SOT-89B, TO-92UA, and TO-92UT are suited for all current soldering methods. During automatic or manual soldering, the temperature at the plastic package must not exceed 260 °C.

5.3 Storage and Shelf Life

The permissible storage time (shelf life) of the sensors is unlimited, provided the sensors are stored at a maximum of 30 °C and a maximum of 85% relative humidity. At these conditions, no Dry Pack is required.

Solderability is guaranteed for one year from the date code on the package. Solderability has been tested after storing the devices for 16 hours at 155 °C. The wettability was more than 95%.

5.4 Processing

During processing of the sensors make sure that only lowest possible forces are applied to the plastic package. Otherwise, there is a risk of mechanically damaging the package (e. g. cracks), leading to an early failure.

This especially concerns bending, shortening of the legs, molding, fixing, and overmolding or potting of the application.

5.5 Bending the Legs

During bending, the legs have to be fixated to avoid forces to the plastic package. Due to the material characteristics of the copper frame, the bending radii should not be less than suggested. Furthermore, the minimum distance to the plastic body has to be regarded. Otherwise, tensions within the frame could be transmitted into the case.

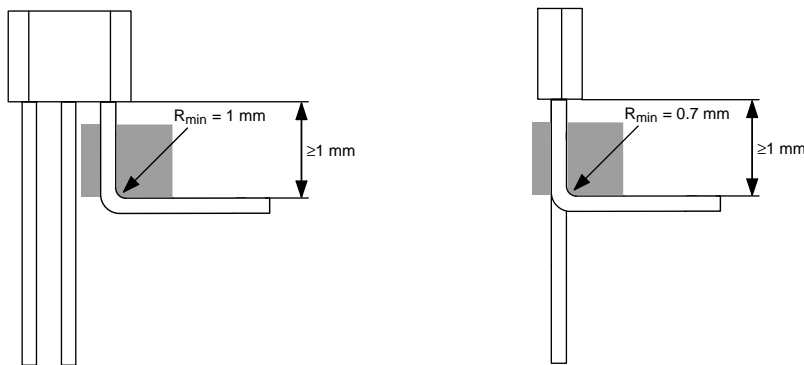


Bild 26: Minimum distances for bending

5.6 Overmolding and Potting

Due to the built-in active-offset compensation, influences of overmolding or potting on the magnetic characteristics are minimized.

During the overmolding process, make sure that only lowest possible forces are applied to the sensor. Otherwise, there is a risk of mechanically damaging the component.

9. Document History

1. Hall Sensors: Ordering Codes, October 24, 1997, 6200-249-1E. First release.

2. Hall Sensors: Ordering Codes, Packaging, Handling, Sept. 12, 2001, 6200-249-2E. Second release.

3. Hall Sensors: Ordering Codes, Packaging, Handling, May 26, 2004, 6200-249-3E. Third release.

4. Hall Sensors: Ordering Codes, Packaging, Handling, Aug. 13, 2007, GL000002_002EN. Fourth release.

5. Hall Sensors: Ordering Codes, Packaging, Handling, Nov. 9, 2007, GL000002_003EN. Fifth release.